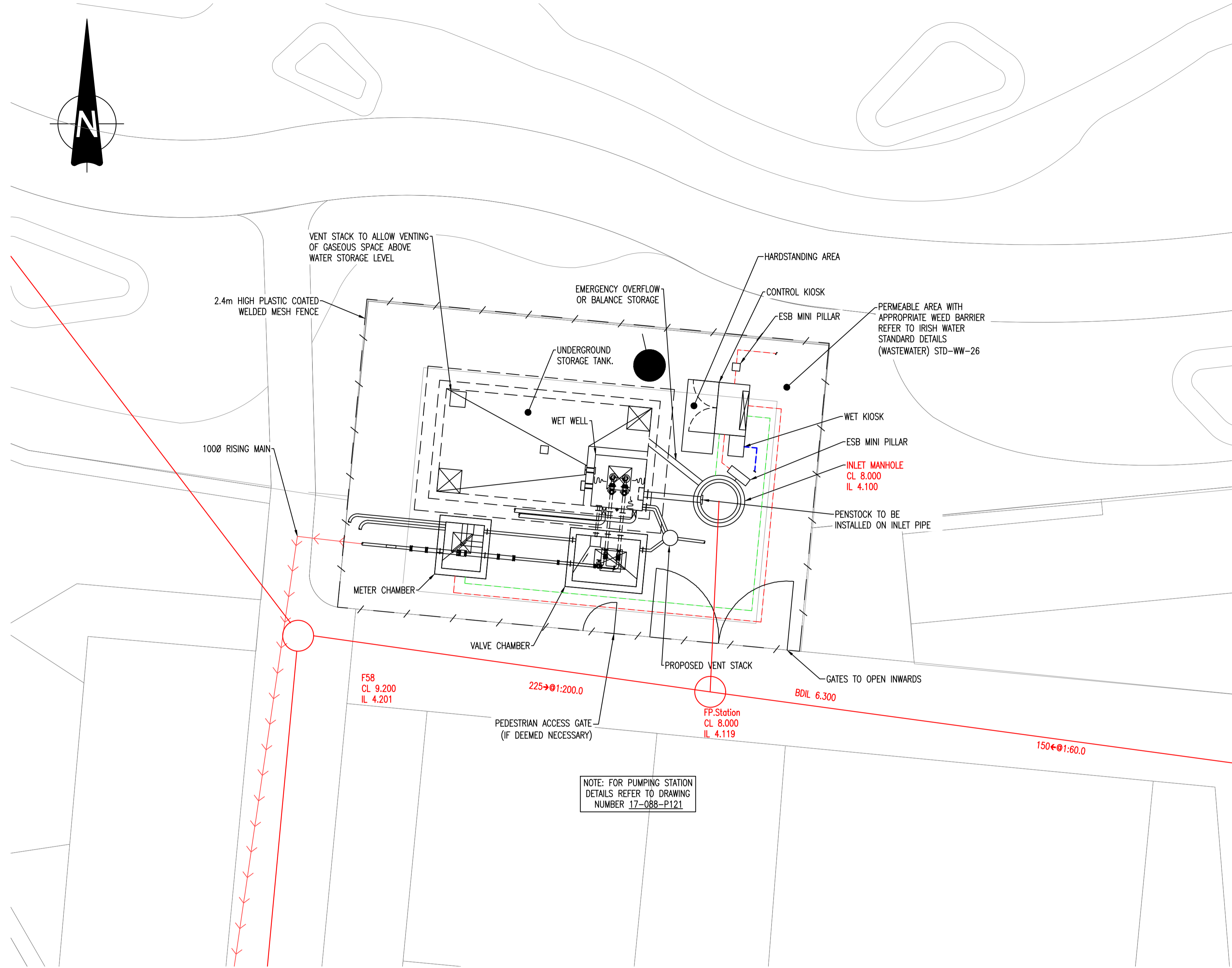


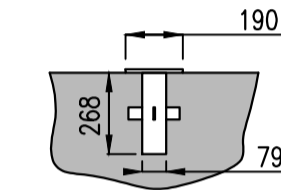
LEGEND:

- 100Ø RISING MAIN
- POWER
- SIGNAL
- WATER

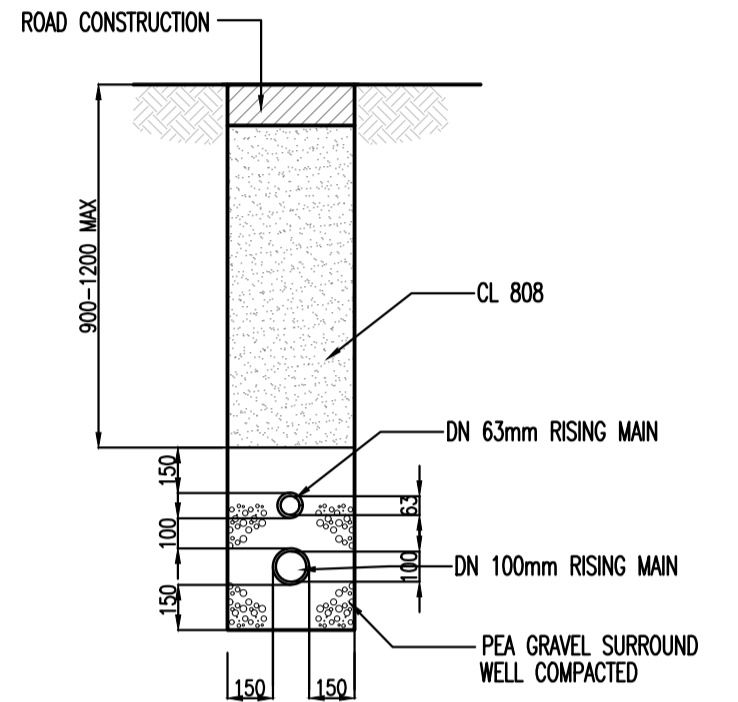
- NOTES:
- DO NOT SCALE. USE FIGURED DIMENSIONS ONLY.
 - THIS DRAWING IS TO BE READ IN CONJUNCTION WITH ALL OTHER RELEVANT ARCHITECTURAL AND ENGINEERING DRAWINGS.



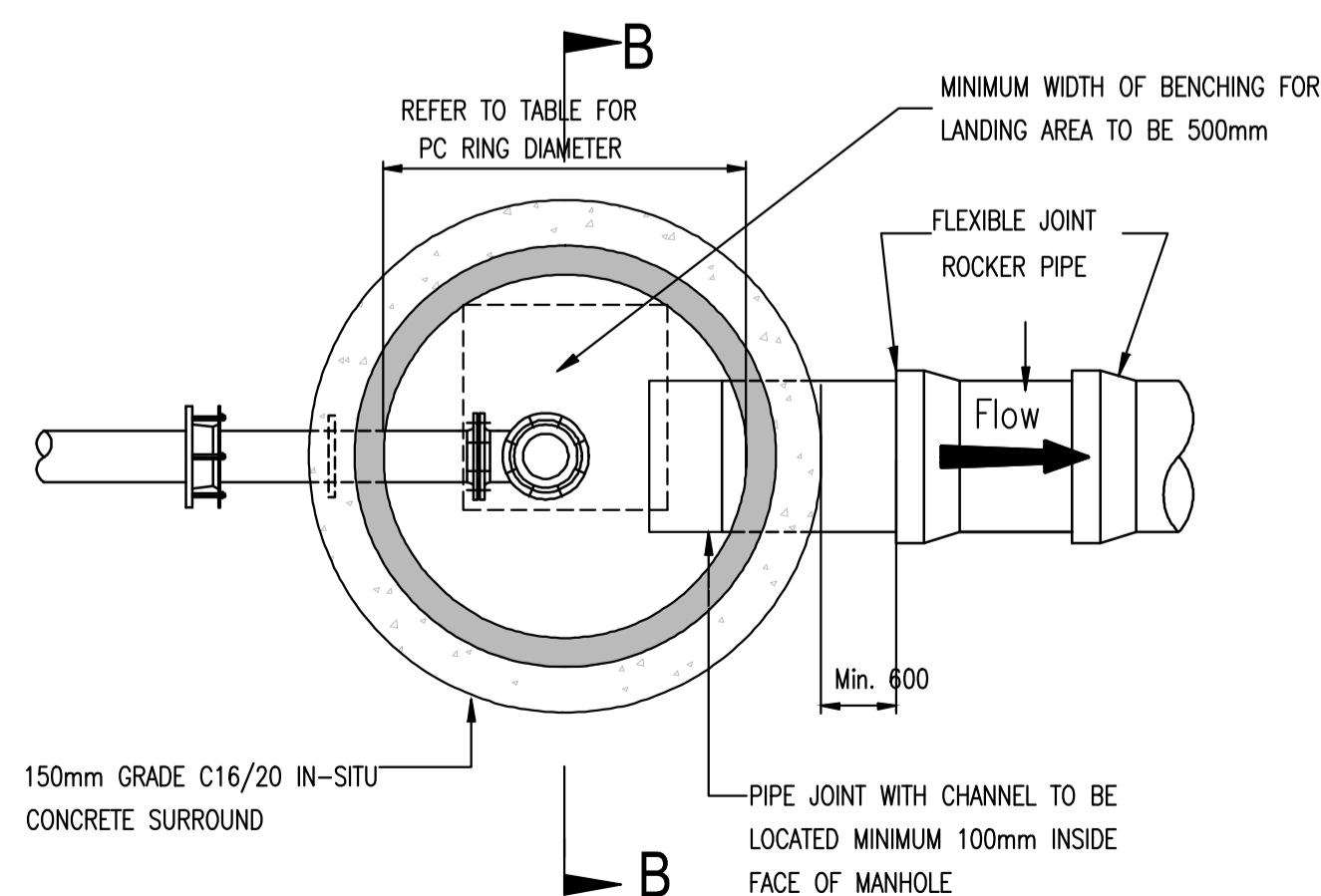
PLAN - PUMPING STATION
SCALE 1:100



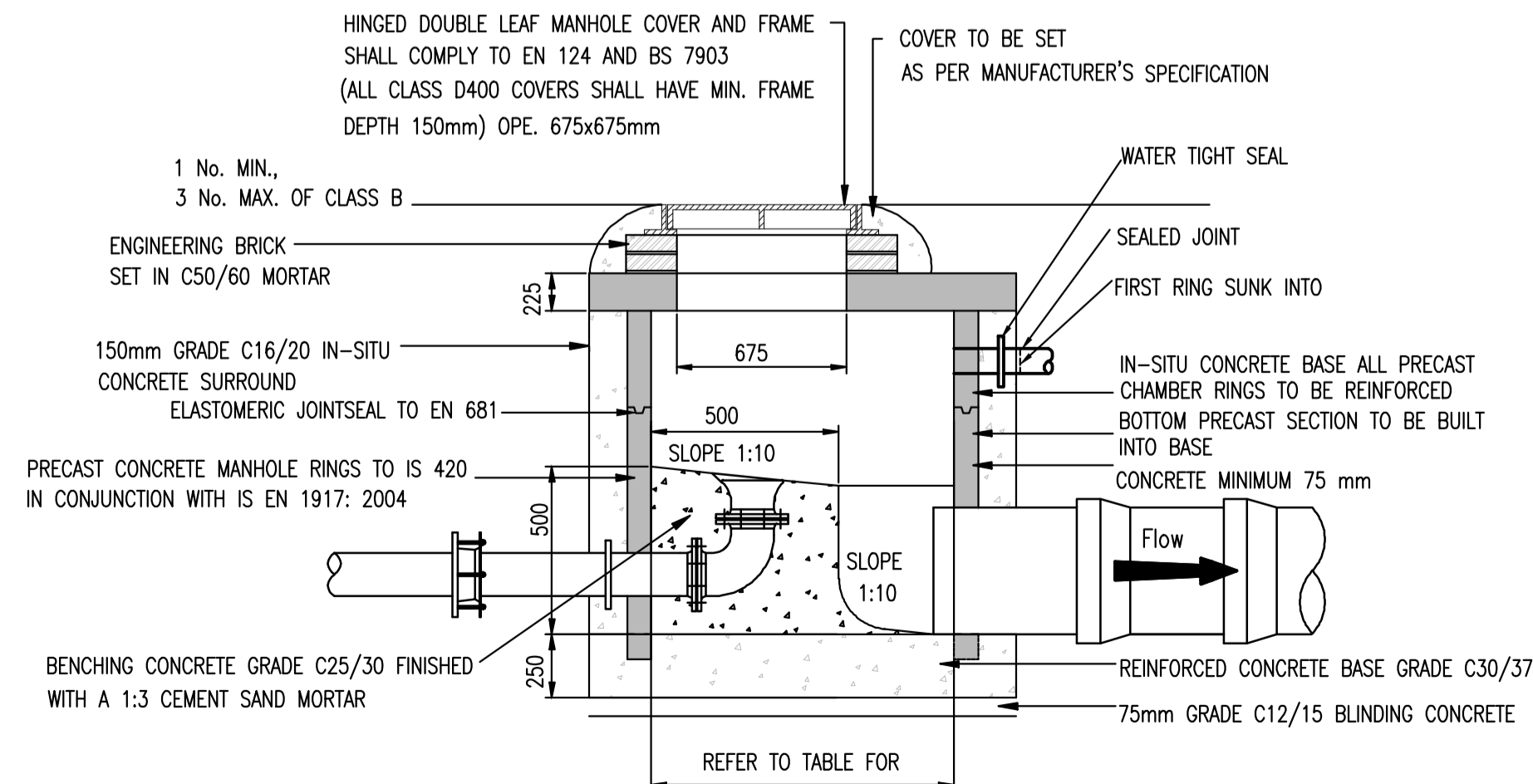
DAVIT CAST-IN SOCKET DETAIL
SCALE 1:25



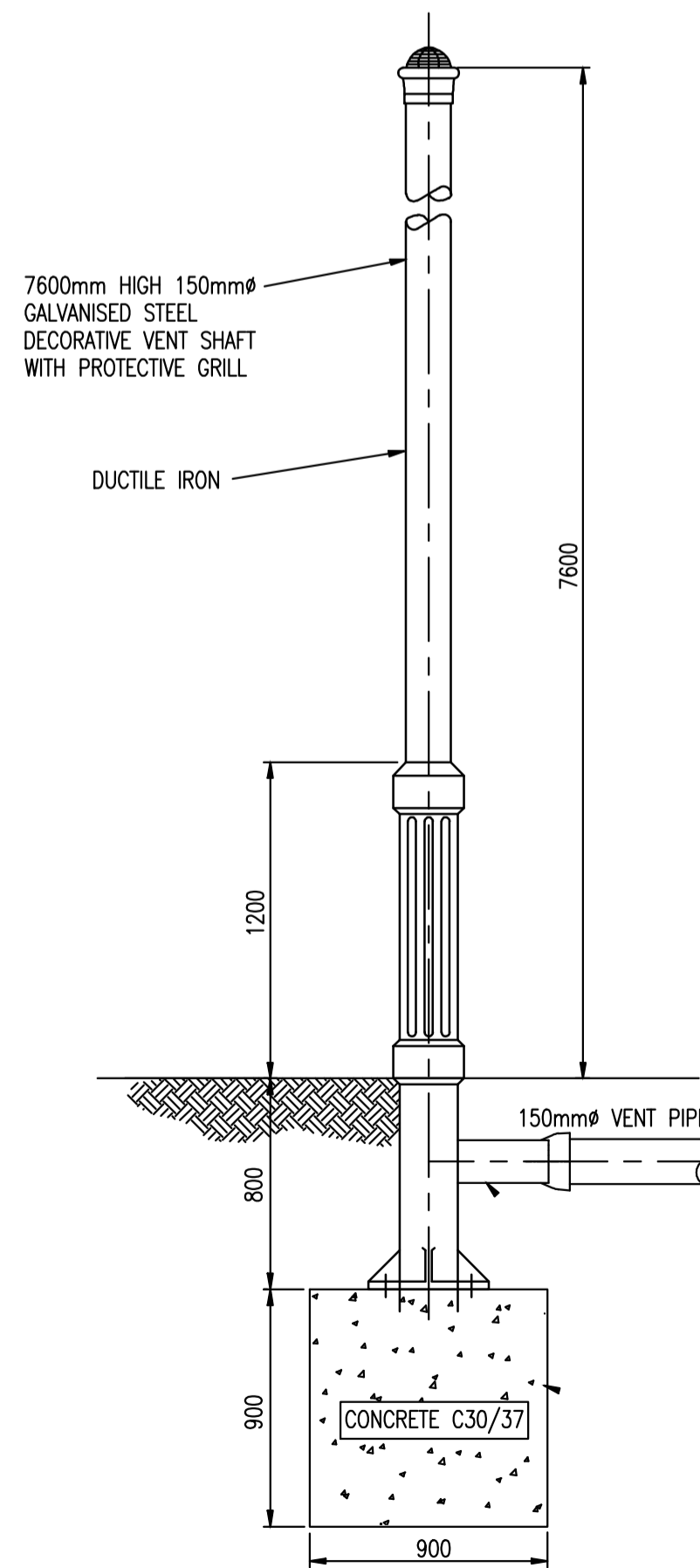
RISING MAIN TRENCH DETAIL
SCALE 1:25



PLAN VIEW - STAND OFF MANHOLE DETAIL
Scale 1:25



SECTION B-B
Scale 1:25



VENT DETAIL
Scale 1:25

| | | | |
|-----------|-----------------------------|-----|------|
| 10/03/22 | AN BORD PLEANALA SUBMISSION | PW | EC |
| REV. DATE | AMENDMENT | DRN | APPD |

STATUS **FOR PLANNING ONLY NOT FOR CONSTRUCTION**

Waterman Moylan
Engineering Consultants
BLOCK 8, EASTPOINT BUSINESS PARK, ALFIE BYRNE ROAD, DUBLIN D03 H3F4 IRELAND.
Tel: (01) 864 8900 Fax: (01) 661 3618
Email: info@waterman-moylan.ie www.waterman-moylan.ie

CLIENT **CAIRN HOMES PROPERTIES LTD.**

ARCHITECT **MCORM ARCHITECTS**

PROJECT **SHD AT HOLYBANKS, SWORDS**

TITLE **FOUL PUMPING STATION DETAILS SHEET 1 OF 2**

| | | | |
|-----------------------|-----------------------|----------------------|------------------------|
| DRAWN PW | DESIGNED LRG | APPROVED EC | DATE MARCH 2022 |
| SCALE AS SHOWN | JOB NO. 17-088 | DRG. NO. P221 | REVISION - |